

Quality – The Best Value


CRAEMER

MGBneo

Innovative. Robust. Efficient.

NEW



MGBneo – Innovative by Design

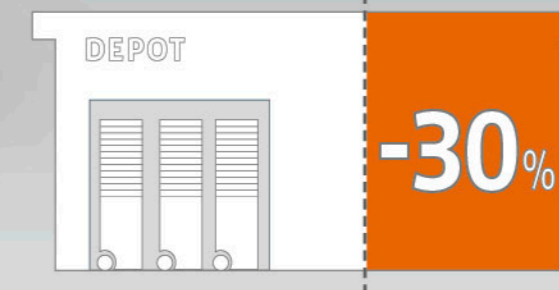
INNOVATIVE BY DESIGN



AVAILABLE IN 120L, 140L, 180L & 240L

IMPROVED STACKING FORMAT

Reduces storage space by up to 30%!



* Stacking for standard 240l containers until now: 10 or 11

INNOVATIVE

- ▶ New manufacturing process ensures uniform wall thickness
- ▶ Reinforcement profiles on all side walls for added strength
- ▶ Increased printing areas on body and lid

ROBUST

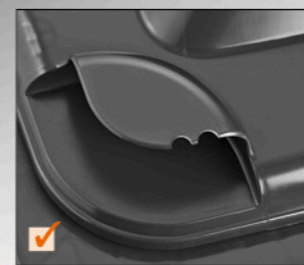
- ▶ Enhanced structural integrity
- ▶ Improved stability
- ▶ Renowned Craemer quality

EFFICIENT

- ▶ Improved, innovative design
- ▶ Up to 13 bins per 2,5M stack
- ▶ Reduced shipping & storage space
- ▶ Improved ergonomic features

Innovative technological development from Craemer:

- 1 Reduced storage space
- 2 Reduced shipping costs
- 3 Reduced CO₂-emission



▶ DDA notch option for ease of bin identification



▶ Reinforced side wall design ensures uniformity and strength



▶ Lid replacement made easy by quick release lid pins



▶ Rubber grommets for lid sound dampening



▶ Large printing/decals area on each wall



▶ Compatible with in-bin caddy systems



▶ Large printing/decals area on lid



▶ Colored lid-inserts available (for optional colour-coded identification)



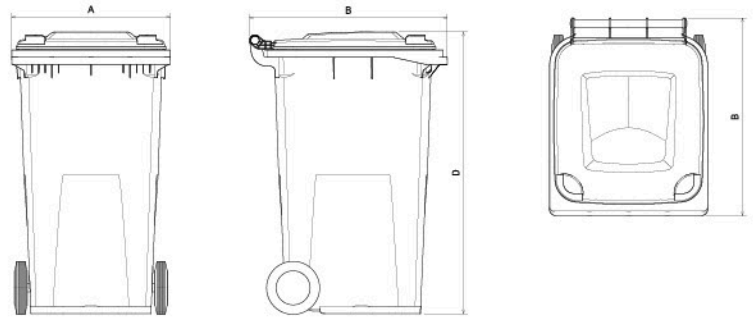
▶ Integrated rain spoiler reduces rain water run-off



▶ 30 mm diameter ergonomic handle

MGBneo

Description: EN 840, RAL-GZ951/1, Directive 2000/14/EG
 Prepared for transponder: Yes
 Travelling gear: External, wheel Ø 200 mm, rubber-tired wheels, wheel axle from steel
 Extra equipment / Accessories²: Glass slot, paper slot, automatic lock, reflectors, wheels Ø 250 mm, tilt assistance



Front view

Side view left

Top view

TECHNICAL DATA *1

type	Content (l)	Dimensions (mm)			Load capacity (kg)	Body/Lid	
		A	B	D		Useful load	Material
MGBneo 120 l	120	505 max.	555 max.	1005 max.	48	HDPE, UV-resistant Cadmium-free	Grey Green Brown Blue Yellow Red
MGBneo 140 l	140	505 max.	555 max.	1100 max.	56		
MGBneo 180 l	180	505 max.	755 max.	1100 max.	72		
MGBneo 240 l	240	580 +/-5	740 max.	1100 max.	96		



Labelling options

On the lid, on the body

*1 All specifications quoted are subject to change. Craemer reserve the right to make changes to product design and specification.

*2 Extra equipment, accessories, as well as other colors are available at extra cost and on request.